

TURBOTWIN™ **T100** **Series** **Turbine** **Air Starters**

**Uncompromising
Performance,
Reliability, and
Longevity for Large
Engines Up to
300 Liters**

Large engines doing big jobs cannot afford starting problems. This is why the TurboTwin T100 Series has been designed for ultimate reliability, durability, and long life. Long cranking cycles, contaminated air, and improper maintenance—a starter's worst enemies—have almost



*Unparalleled
aerodynamic
elements
manufacturing
experience makes*

*TurboTwin the leader in
power and reliability.*

no effect on the T100. That's because the T100's superior design effectively manages these problems. Here's how:

Ready For The World's Most Contaminated Air

The T100's vaneless turbine motor has no rubbing vanes to stick, swell, or wear out—wet air or gas have no effect on internal parts. Contaminated air that clogs, damages, and shuts down lesser units passes through TurboTwin's "open air path" design. Even sour natural gas is no match for the T100's corrosion-resistant interior. It all adds up to unmatched reliability—regardless of the conditions you operate in.

Aerodynamic Speed Control Permits Longer Cranking... and No Burnout

Long crank cycles are a reality that can burn out the gearbox of lesser-grade starters. TurboTwin's design has eliminated the automatic trip valve (ATV) providing precise aero-

dynamic control over motor speed. TurboTwin's lower gear ratios reduce starter workload and allow cool running that prevents starter burnout.

No Compromise On Any TurboTwin Part

T100 uses only high-quality, high-strength steel and aluminum alloys machined to the industry's tightest tolerances. There's no cutting corners, and definitely no plastic parts as used in other turbine air starters.

Fewer Moving Parts Means Fewer Repairs

T100 features half the moving parts found on other turbine air starters. The design yields greater reliability, reduces overhaul, and minimizes potential part repair costs.

No Oil Means No Fugitive Emissions, Reduced Maintenance, And A Cleaner, More Reliable Starter

The T100 is grease-packed for life so there is no need for oil

The T100's vaneless motor design contributes to longer life.

lubrication, no oily fugitive exhaust emissions, and no maintenance required.

More Power. Faster Starts.

TurboTwin produces up to 25% more horsepower and a superior turbine torque on a unit of air, and delivers faster cranking RPM for quick starts.

New T100-V Offers a Pre-Engaged Solution
The new T100-V allows a flexible fit for applications requiring pre-engagement. With T100-V, you can get the legendary durability and reliability of TurboTwin, with pre-engagement.

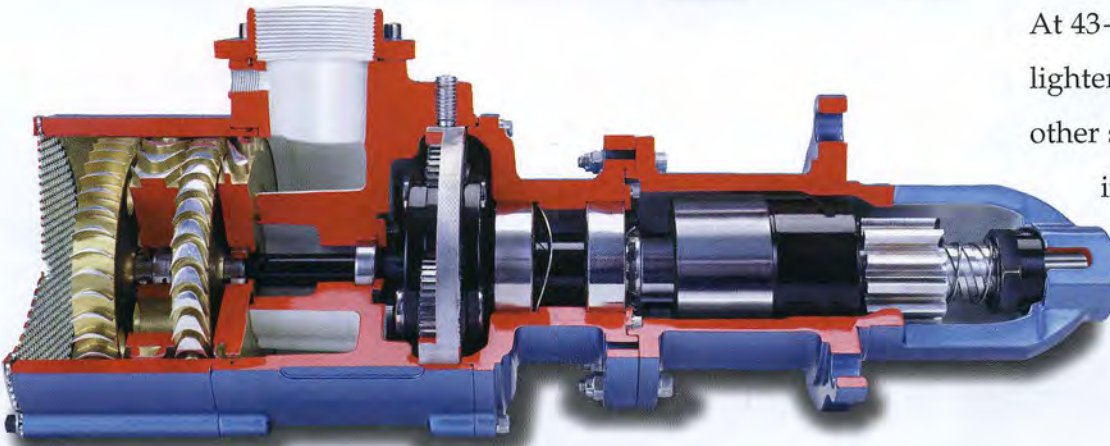


T100-V (Pre-Engaged)

T100 can provide reliable starts at pressures as low as 30 psig, making it ideal for field gas compressor applications and compressor rental fleet operators.

Lightweight

At 43–54 lbs., T100 is not only lighter and more compact than other starters in its class, but installation can be a one-man operation.



T100-B (Inertia)

T100 Turbine Air Motor has large air passages...won't clog or break

Clean Exhaust...no oily exhaust mist means emissions compliance

Aerodynamic Speed Control...prevents starter over-speed

Robust steel & aluminum alloy construction...no plastic or fragile parts

Vaneless Air Motor requires no lubrication of the air/gas supply

Grease-Packed Gearbox Design...no oil sump to check, change, or fill

Pre-engaged Pinion Gear...ideal for multiple starter applications (T100-V)

Offset, Overhung Pinion Gear offers fit, flexibility, and more pinion options (T100-V)

All TURBOTWIN Engine Air Starters feature grease-packed gears and bearings, and aerodynamic speed control, to provide long, trouble-free operation.

Lightweight rotating elements provide "soft engagement" ... extending the life of both ring and pinion gears

Choose From Many T100 Models

T100 is offered in a variety of nozzle and pinion configurations to meet your exact application requirements. See the following specification pages to select the appropriate model.